

PENDANTS

MODELS

COLUMN



COLUMN Motorized Ceiling Pendant

Ergonomic System: Safety, Space and Functionality

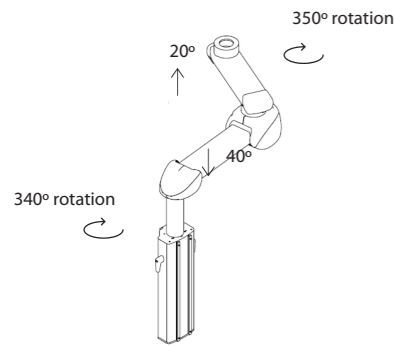
WWW.TEDISELMEDICAL.COM

info@tedisel.com

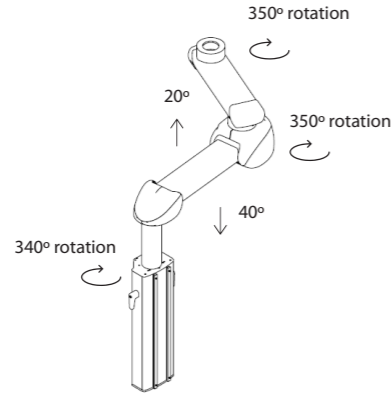
MODEL: COLUMN
SUBMODEL: WITH VERTICAL MOVEMENT



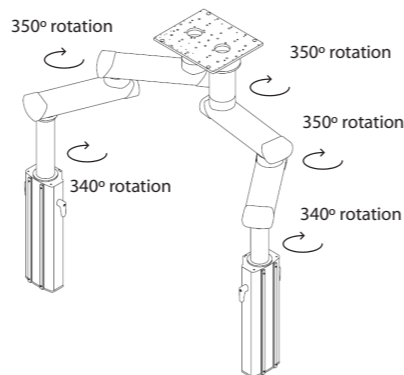
Single motor arm



Double motor arm

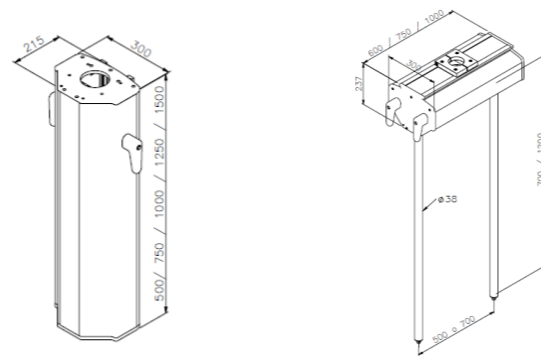
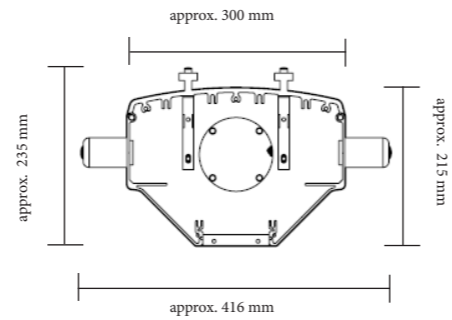


Tandem*



*Tandem option with double rotating arms. The arm configuration can be also with the rotary neck model, and the motorized and spring models.

TECHNICAL DATA

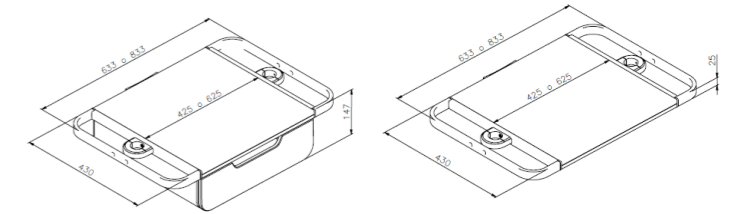


Drawer with lateral technical rails

Dimensions	425 / 625 x 430 x 25 mm
Dimensions with technical rails	633 / 833 x 430 x 25 mm
Max. Load	40 kg

Shelf with drawer lateral technical rails

Dimensions	425 / 625 x 430 x 147 mm
Dimensions with technical rails	633 / 833 x 430 x 147 mm
Max. Load	50 kg

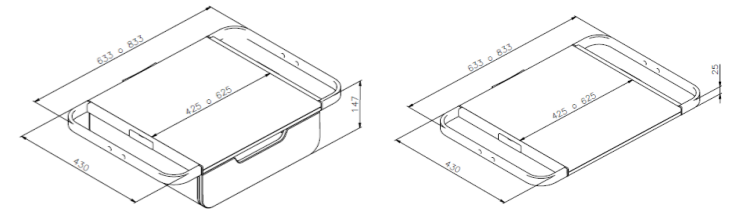


Shelf for Service Head

Dimensions	425 / 625 x 430 x 25 mm
Dimensions with technical rails	633 / 833 x 430 x 25 mm
Max. Load	40 kg

Shelf with drawer for Service Head

Dimensions	425 / 625 x 430 x 147 mm
Dimensions with technical rails	633 / 833 x 430 x 147 mm
Max. Load	50 kg



Electrical System

Rated voltage	230 Vca
Rated frequency	50Hz

Lighting System (optional)

Indirect light on Arm (minimum arm 800mm)	18W (4500K)*
Floor spot light (on the bottom of the service head)	3,2W (4500K)*

* Possibility to regulate lights (0-10V) and DALI option

Medical Gas System

O₂ - Air - N₂O - CO₂ - VAC - AGSS - Air 800 - N₂800 - O₂/He - O₂/N₂O

Materials

Structure	Aluminium (3mm to 12 mm thickness) with epoxy painting
Technical rails	Stainless steel (standard) / Aluminium (optional)
Trolleys	Aluminium with epoxy painting
Trolley Tubes	Stainless steel AISI 304
Shelves	Aluminium
Technical rails of the shelves	Aluminium (standard)

Motorized simple arms

Brakes	Friction / Electropneumatic / Electromagnetic
Lengths	1000 mm
Capacity load	210kg to 250kg

Motorized double arms

Brakes	Friction / Electropneumatic / Electromagnetic
Lengths	600/1000 - 800/1000 - 1000/1000 - 1200/1000 mm*
Capacity load	140 kg to 250kg

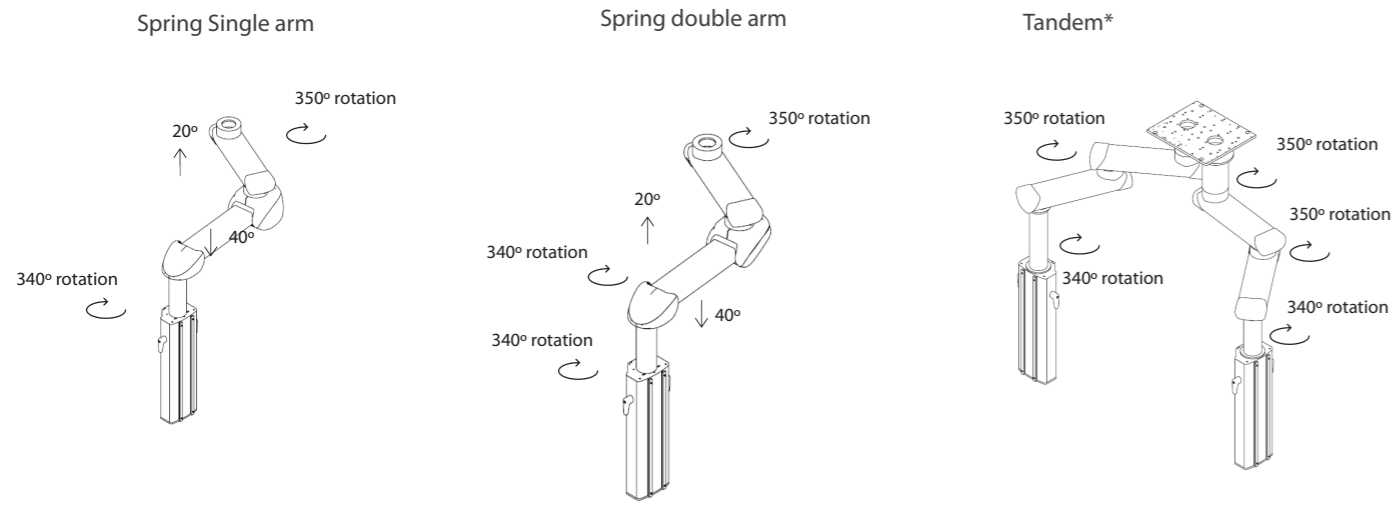
* More lengths available

Service head

Height in vertical position	500 / 750 / 1000 / 1250 / 1500 mm
Height in horizontal position	600 / 750 / 1000 mm*
Capacity load	100kg

* Possibility to add fixed trolley

TECHNICAL DATA



*Tandem option with two arms. The arm configuration can be any available.

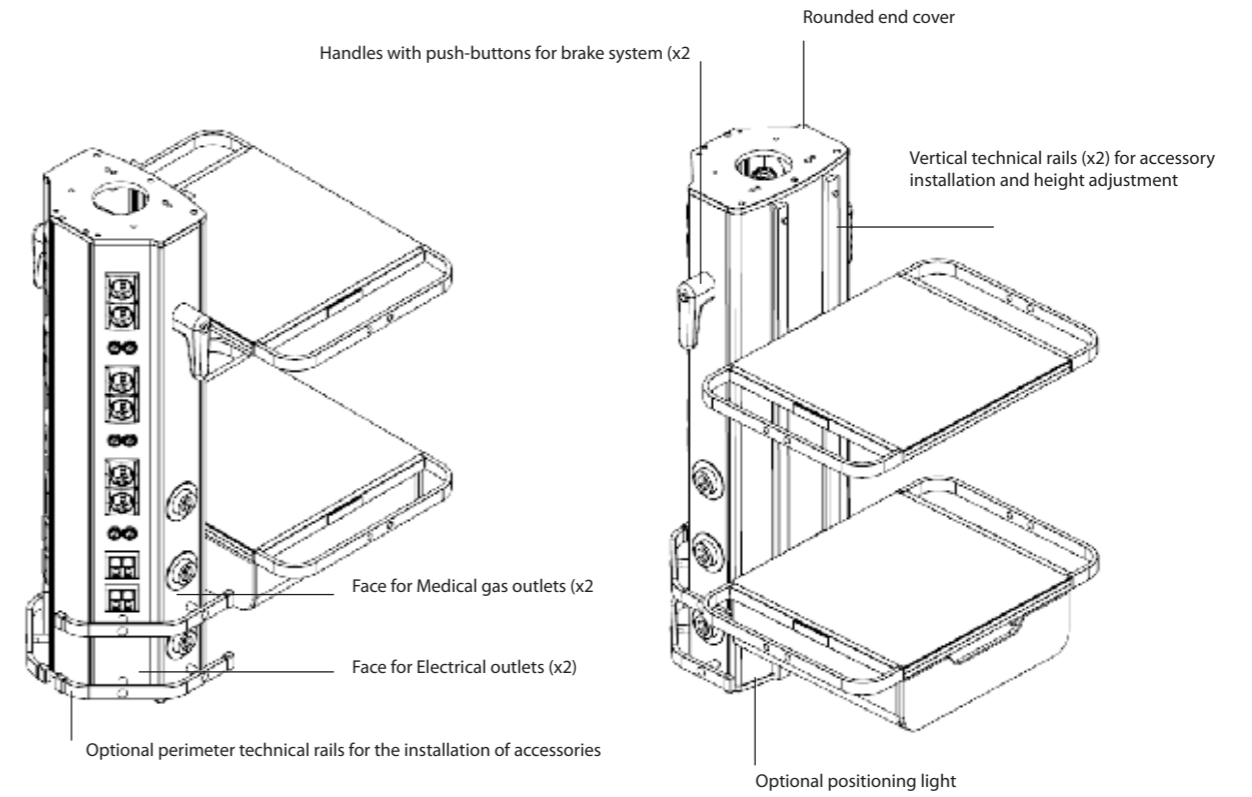
Spring simple arms

Brakes	Friction / Electropneumatic / Electromagnetic
Lengths	1015 mm
Capacity load	180kg to 22kg

Spring double arms

Brakes	Friction / Electropneumatic / Electromagnetic
Lengths	600/1015 - 800/1015 - 1000/1015- 1200/1015 mm*
Capacity load	180kg to 22kg

* More lengths available



Classification

Directive 93/42/EEC CLASS II B

EC Conformity

Tedisel complies with the provisions of Directive 93/42/EEC (medical devices), ISO 11197 (medical supply units) and IEC 60601-1 (medical electrical equipment. Part1: general requirements for basic safety and essential performance).

Compatibility with other medical devices

Tedisel products may be equipped with medical devices from other manufacturers. Please follow the instructions provided by the manufacturers of this equipment for proper installation.

CE 0197

TüV Rheinland LGA Products GmbH

QUALITY

Tedisel Management System and all our products are certified with quality seal ISO 13485 and CE marking granted by notified body TÜV RHEINLAND LGA Products GmbH.

Tedisel, as medical device manufacturer, has the medical device manufacturer license number 6205-PS, granted by the Spanish Agency for Medicines and Health Products.

All medical devices developed and manufactured in Tedisel, are regulated by the European Directive 93/42/EEC. All equipment has accreditation and certification of electrical safety and electromagnetic compatibility standards ISO 11197 and EN 60601.